

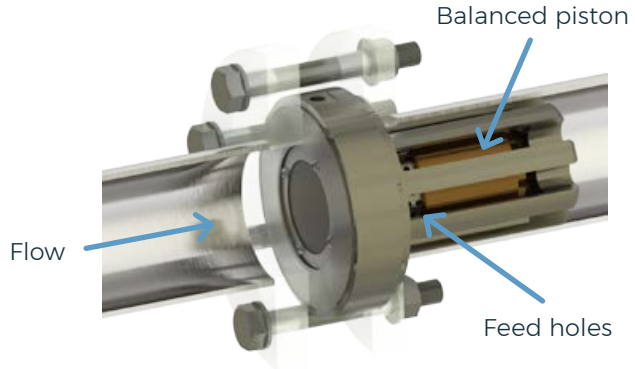
IHF SERIES GAS REGULATOR



High Pressure Gas Pressure Regulators

Insert-type construction for DN100-DN300 (4"-12") pipework

Rev 2/17 1 of 2



PRODUCT OVERVIEW

The IHF Series™ pilot-operated regulators offer superior control accuracy for high pressure gas applications.

Oxford Flow's patented design delivers an extremely compact device that makes light work of installation and servicing. The IHF Series insert arrangement fits between PN or ANSI flanges to reduce the installation footprint - removing the need for expensive lifting equipment.

Maximum reliability and minimum maintenance are made possible due to Oxford Flow's inventive simplicity, delivering high performance and reliability.

Our modular design allows construction in a wide range materials to optimise construction for corrosive and abrasive environments.

APPLICATIONS

Use with confidence for Natural Gas, LPG and all fuel gases. Also, suitable other non-corrosive gases.

Max. Inlet pressure	Up to 100 bar*
Max. Outlet pressure	Up to 99.5 bar*
Leakage	Bubble tight
Lock-up Class	SG20
Accuracy Class	AC10

*Pilot and flange rating dependant, up to 200 bar on request

BENEFITS & FEATURES

- Superior control accuracy and speed of response
- Minimised maintenance
- Dramatically reduced weight
- Robust and reliable

PERFORMANCE & SIZING

The high flow IHF Series Regulators are available in sizes from DN100-DN300 (4"-12"), as follows;

IHF Series	Cv Values	KG Values
DN100	65	1,755
DN150	146	3,942
DN200	260	7,020
DN300	585	15,795



Oxford Flow Ltd, Osney Mead, Oxford OX2 0DP

E: info@oxford-flow.com T: + 44 (0)7933 389 915 W: oxford-flow.com



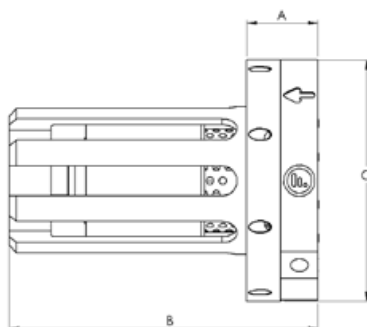
IHF SERIES GAS REGULATORS

High Pressure Gas Pressure Regulators
Insert-type construction for DN100-DN300 (4"-12") pipework

Rev 2/17 2 of 2



DIMENSIONS AND WEIGHTS



IHF Series Gas Regulators	A (mm)	B (mm)	C (mm)	Weight excl. control system (kg)
DN100	48	207	162	10
DN150	61	289	218	25
DN200	> 82	> 385	> 285	> 60
DN300	>122	>578	> 436	>200

SIMPLE INSTALLATION



MATERIALS OF CONSTRUCTION

A modular design allows construction in a wide range materials, get in touch to find out how we can optimise materials for your applications.

Components	Materials (refer to pilot data sheets for materials)
Body	Stainless Steel 316
Actuator	Stainless Steel 316
Seat Material	PTFE or PEEK
Trim and fittings	Stainless Steel 316
'O' ring seals	NBR, FKM, FFKM, EPDM or PTFE



Oxford Flow Ltd, Osney Mead, Oxford OX2 0DP

E: info@oxford-flow.com T: + 44 (0)7933 389 915 W: oxford-flow.com

