

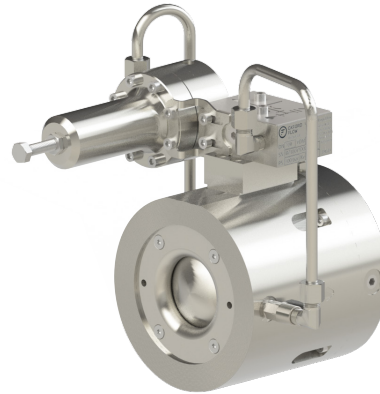
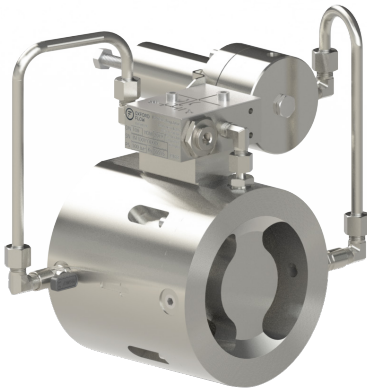
IM SERIES GAS REGULATOR



High Performance Gas Pressure Regulators

Wafer-type construction for DN50-DN150 (2"-6") pipework

Rev 04/17 1 of 2



PRODUCT OVERVIEW

The IM Series™ pilot-operated wafer-type regulator range offers high levels of performance for Natural Gas and other fuel gas applications.

The patented compact construction significantly reduces weight and the need for expensive lifting equipment during installation and maintenance.

The IM Series wafer-type arrangement fits between PN or ANSI flanges to minimise installation footprint. The unique design employs a minimum number of components to maximise reliability and reduce maintenance costs.

Flexible, the IM Series offers the choice of industry standard pilots or innovative smarter network pilots.

APPLICATIONS

Use with confidence for Natural Gas, LPG and all fuel gases. Also suitable other for non-corrosive and corrosive gases.

Max. Inlet pressure	Up to 100 bar*
Max. Outlet pressure	Up to 99.5 bar*
Leakage	Bubble tight
Lock-up Class	SG 5
Accuracy Class	AC 1.5

*Pilot and flange rating dependant, up to 200 bar on request

BENEFITS & FEATURES

- Low installation and maintenance costs
- Accurate pressure and flow control
- Compact and lightweight
- Relatively low noise emissions
- Piston sensed - no diaphragm
- Robust and reliable
- Easy Install
- Small installation footprint

PERFORMANCE & SIZING

High flow IM Series Regulators are available in sizes from DN50-DN150** (2"-6"), as follows;

IM Series	Cv Values	KG Values
DN50	36	969
DN65	60	1615
DN80	90	2441
DN100	146	3949
DN150**	326	8795

**Sizes above DN150 available on request



Oxford Flow Ltd, Osney Mead, Oxford OX2 0DP

E: info@oxford-flow.com T: + 44 (0)7933 389 915 W: oxford-flow.com



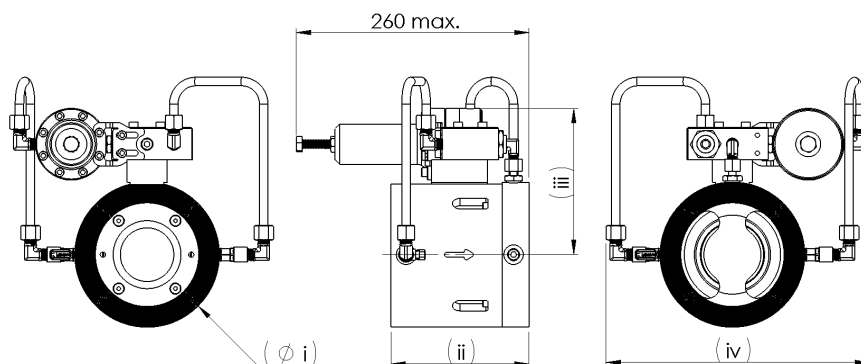
IM SERIES GAS REGULATORS

High Performance Gas Pressure Regulators
Wafer-type construction for DN50-DN150 (2"-6") pipework

Rev 04/17 2 of 2

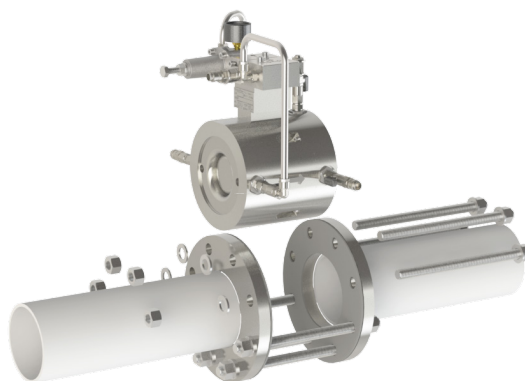


DIMENSIONS AND WEIGHTS



IM Series Gas Regulators	Diameter i (mm)	Length ii (mm)	Height iii (mm)	Width iv (mm)	Weight with Pilot (kg)
DN50	107	121	240	260	11
DN80	142	135	275	280	16
DN100	162	155	295	290	21
DN150	218	205.5	350	330	42
DN200	273	242.5	400	390	82
DN300	384	311.5	520	500	194

SIMPLE INSTALLATION



MATERIALS OF CONSTRUCTION

A modular design allows construction in a wide of range materials, get in touch to find out how we can optimise materials for your applications.

Components	Materials (refer to pilot data sheets for materials)
Body	Stainless Steel 316
Actuator	Stainless Steel 316
Seat Material	PCTFE
Trim and fittings	Stainless Steel 316
'O' ring seals	NBR, FKM, FFKM or EPDM

