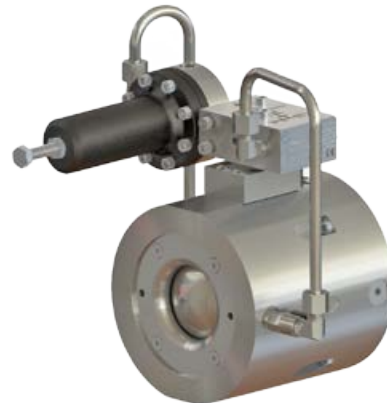


IMW SERIES WATER PRV



High Performance Fluid Pressure Control Valves
Wafer-type construction for DN50-DN150 (2"-6") pipework

Rev 06/17 1 of 2



PRODUCT OVERVIEW

Oxford Flow's IMW Series are a unique patented range of pilot-operated wafer-type pressure reducing valves (PRVs) developed specifically for water applications.

Wafer-type installation between PN10/PN16/PN25 flanges minimises installation footprint and the design eliminates the main diaphragm to maximise reliability and reduce maintenance costs.

The IMW Series offers pilot controlled accuracy and can be integrated with actuated systems in smarter networks to calm systems networks and reduce leakage.

APPLICATIONS

Use with confidence for potable water, sea water and other corrosive fluids.

Max. Inlet pressure	Up to 100 bar*
Max. Outlet pressure	Up to 99.5 bar*
Leakage	Bubble tight
Lock-up Class	SG 5
Accuracy Class	AC 1.5

*Pilot and flange rating dependant, up to 200 bar on request

BENEFITS & FEATURES

- Market leading minimum head-loss performance
- Low installation and maintenance costs
- Easy installation
- Minimum maintenance & low cost of ownership
- Lightweight and compact
- Robust and reliable

PERFORMANCE & SIZING

High flow IMW Series Pressure Reducing Valves are available in sizes from DN50-DN150** (2"-6"), as follows;

IMW Series	KG Values	Cv Values
DN50	30	35
DN80	73	84
DN100	130	150
DN150	266	308

**sizes above DN150 available on request



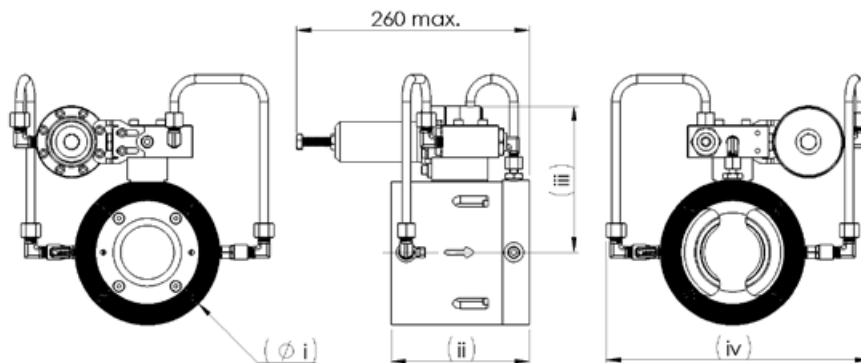
IMW SERIES WATER PRV

High Performance Fluid Pressure Control Valves
Wafer-type construction for DN50-DN150 (2"-6") pipework

Rev 06/17 2 of 2



DIMENSIONS AND WEIGHTS



IMW Series Gas Regulators	Diameter i (mm)	Length ii (mm)	Height iii (mm)	Width iv (mm)	Weight (kg)
DN50	107	121	240	260	11
DN80	142	135	275	280	16
DN100	162	155	295	290	21
DN150	218	205.5	350	330	42

SIMPLE INSTALLATION



MATERIALS OF CONSTRUCTION

A modular design allows construction in a wide of range materials, get in touch to find out how we can optimise materials for your applications.

Components	Materials (refer to pilot data sheets for materials)
Body	Stainless Steel 316
Actuator	Stainless Steel 316 and Acetyl Resin
Seat Material	PCTFE
Trim and fittings	Stainless Steel 316
'O' ring seals	NBR, FKM, FFKM or EPDM



Oxford Flow Ltd, Osney Mead, Oxford OX2 0DP

E: info@oxford-flow.com T: + 44 (0)7933 389 915 W: oxford-flow.com

