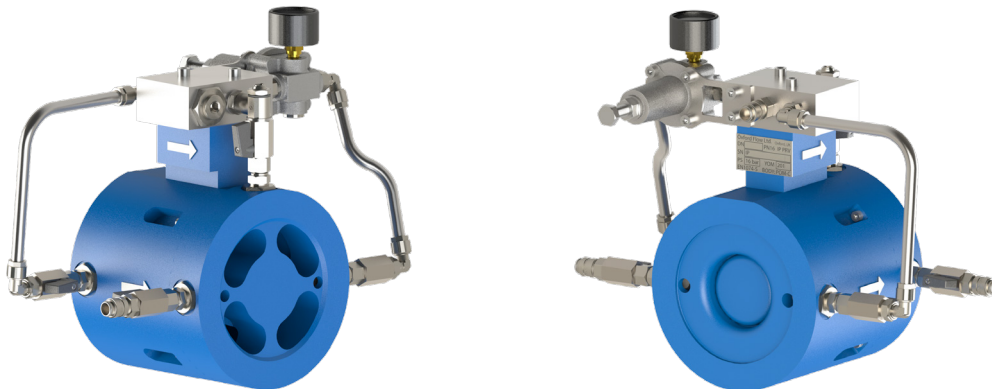


# IP SERIES WATER PRV



High-performance Pressure Reducing Valve (PRV)  
Wafer-type construction for DN50-DN150 (2"-6") pipework

Rev: 04/17 1 of 2



## PRODUCT OVERVIEW

Oxford Flow's IP Series are a unique patented range of pilot-operated wafer-type pressure reducing valves (PRVs) developed specifically for water applications.

The lightweight polymer construction uses a durable Acetal resin (WRAS approved) to significantly reduce weight and remove the need for expensive lifting equipment during installation and maintenance.

Wafer-type installation between PN10/PN16 flanges minimises installation footprint and the design eliminates the main diaphragm, using a piston sensed mechanism to maximise reliability and reduce maintenance costs.

The IP Series offers pilot-controlled accuracy and also can be integrated with actuated systems in smarter networks to calm networks and reduce leakage.

## APPLICATIONS

The IP Series PRV has a minimum pressure head drop of just 2 mH<sub>2</sub>O, use with confidence on potable water, waste water and process fluids.

Max. Inlet pressure	16 bar
Outlet pressure range	1 to 11 bar g*
Min. head-loss	0.2 bar (2m wg)
Leakage	100% Bubble tight

\*Additional spring ranges available on request

## BENEFITS & FEATURES

- Market leading minimum head-loss performance
- Low installation and maintenance costs
- Easy installation
- Lightweight and compact
- Corrosion-free and cavitation resistant polymer
- Robust and reliable

## PERFORMANCE & SIZING

High-flow IP Series PRV's are available in sizes ranging from DN50 - DN150, as follows:

IP Series PRV	Kv Values	Cv Values
DN50	30	35
DN80	73	84
DN100	130	150
DN150	266	308

Note - DN65 and sizes above DN200 on request



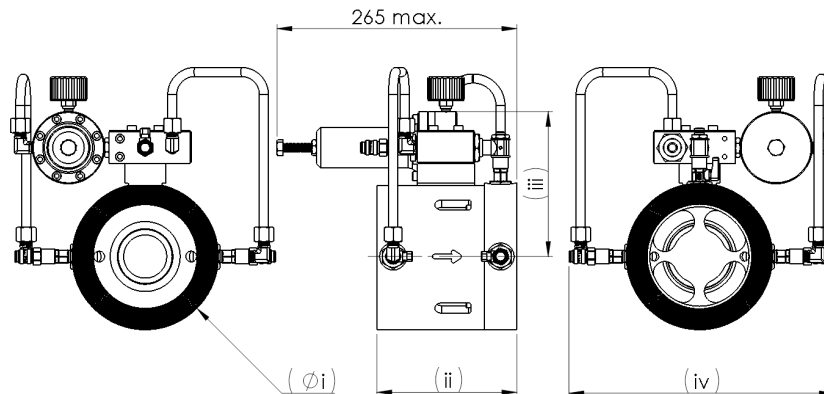
## IP Series Water PRV

High-performance Pressure Reducing Valve (PRV)  
Wafer-type construction for DN50-DN150 (2"-6") pipework

Rev: 04/17 2 of 2

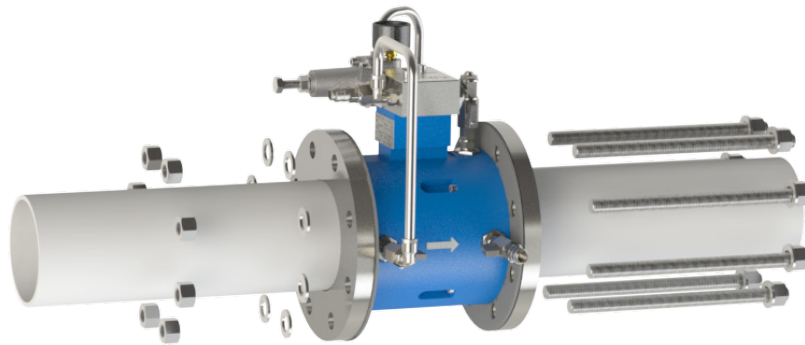


### DIMENSIONS AND WEIGHTS



Nominal Diameter	Diameter $\varnothing$ (i)	Length (ii)	Height (iii)	Width (iv)	Weight (net)
DN50	107 mm	121 mm	143 mm	269 mm	3.4 kg
DN80	142 mm	135 mm	160 mm	304 mm	4.3 kg
DN100	162 mm	155 mm	170 mm	324 mm	5.0 kg
DN150	218 mm	205.5 mm	198 mm	380 mm	8.5 kg

### SIMPLE INSTALLATION



### MATERIALS OF CONSTRUCTION

Components	Materials (refer to pilot data sheets for materials)
Body	Acetal resin (WRAS) alternative materials and approvals on request
Actuator	Acetal resin (WRAS)
Seat Material	Acetal resin (WRAS)
Trim and fittings	Stainless Steel 316
'O' ring seals	NBR or EPDM



Oxford Flow Ltd, Osney Mead, Oxford OX2 0DP

E: [info@oxford-flow.com](mailto:info@oxford-flow.com) T: + 44 (0)7933 389 915 W: [oxford-flow.com](http://oxford-flow.com)

