

OXFORD FLOW GAS REGULATOR

MODEL: IM-F – FLANGED

High performance gas pressure regulator
Axial flanged construction



PRODUCT OVERVIEW

The IM-F Series gas regulator range offers high levels of performance for Natural Gas and other process gasses.

The robust stainless steel design has been engineered to deliver the same high levels of accuracy and responsiveness in an industry standard form factor for simple integration into existing pipework.

APPLICATIONS

**Use with confidence for Natural Gas and all process gasses.
Not for use as a safety device**

Max. Inlet Pressure	100 bar /1450 psi
Max. Outlet Pressure	99 bar /1435 psi
Leakage	ANSI FCI 70-2: CLASS VI
Lock-up Class	SG 5
Accuracy Class	AC 1 ¹
Temperature	-20 to 60 °C ² / -4 to 140° F
Ports	BSPT/NPT

¹ Accuracy class depends on set pressure, consult Oxford Flow for further details

² Extended temperature range on request

BENEFITS & FEATURES

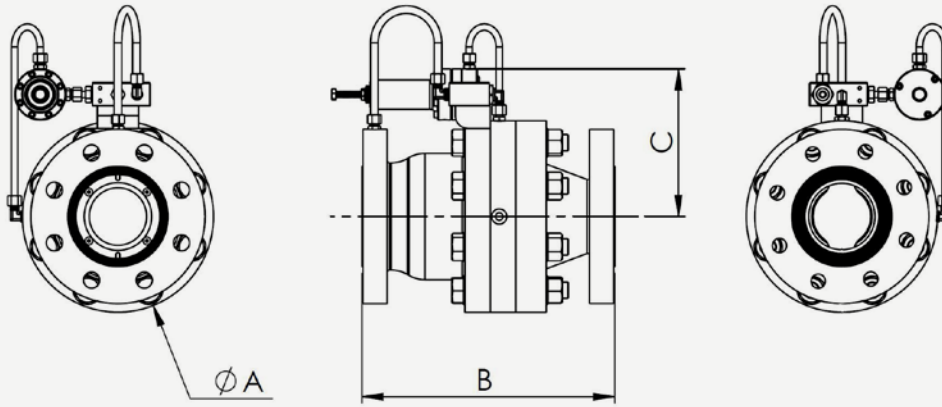
- A single moving part for minimal maintenance
- Extremely accurate pressure and flow control
- Piston operated – no diaphragm
- Patented axial flow design
- H₂ compatible

PERFORMANCE & SIZING

High flow IM Series Regulators are available in sizes from DN50-DN150³ (2"-6"), as follows:

IM-F+	C _v	C _g	K _v	K _g
DN50 (2")	59	1915	50	2015
DN100 (4")	235	7500	202	7895
DN150 (6")	524	17500	451	18421

³ Sizes above DN150 available on request



KEY DIMENSIONS

	Diameter (A)	Length (B)	Height (C)	Weight (kg / lb)
2" Class 150	150mm/5.91	254mm/10"	155mm/6.10"	25.0kg/55.1lb
2" Class 300	150mm/5.91	267mm/10.5"	155mm/6.10"	26.7kg/58.9lb
2" Class 600	150mm/5.91	286mm/11.25"	155mm/6.10"	31.6kg/69.7lb
4" Class 150	300mm/11.81	353mm/13.88"	231mm/9.10"	74kg/163lb
4" Class 300	300mm/11.81	368mm/14.5"	231mm/9.10"	80kg/176lb
4" Class 600	300mm/11.81	394mm/15.5"	231mm/9.10"	95kg/210lb
6" Class 150	450mm/17.72	451mm/17.75"	305mm/12.01"	111kg/245lb
6" Class 300	450mm/17.72	473mm/18.62"	305mm/12.01"	120kg/265lb
6" Class 600	450mm/17.72	508mm/20"	305mm/12.01"	142kg/313lb



SIMPLE INSTALLATION



CONSTRUCTION MATERIALS

A modular design allows construction in a wide range of materials, get in touch to find out how we can optimise materials for your applications.

Components	Materials
Body & actuator	Stainless steel 316L
Seals & soft parts	NBR*
Pilot	Stainless steel 316L (in gas contact) Aluminium 6082-T6
Trim and fittings	Stainless steel 316L

*Alternative materials available on request

DISCLAIMER. Details of products may vary. Oxford Flow does not guarantee or warrant the availability of the models described in this Product Bulletin or the accuracy or completeness of the details provided. The contents of this Product Bulletin shall not form the basis of any contract or representation. Please refer to the relevant Product Data Sheet for technical details of our products.