

# OXFORD FLOW GAS REGULATOR

MODEL: IM-S – WAFER

High performance gas pressure regulator



## PRODUCT OVERVIEW

The IM-S Series pilot-operated, regulator range offers high levels of performance with an axial flow design for process gases.

The wafer-type body fits between PN10 – PN100 and ANSI Class 150 – 600 flanges, significantly simplifying procurement and maintenance. The patented, compact construction significantly reduces weight and the need for expensive lifting equipment during installation and maintenance.

## APPLICATIONS

The machined 316L body and internals are ideally suited for gas transmission and distribution applications with natural gas, hydrogen, air and other process gases.

Max. Inlet Pressure	100 bar
Max. Outlet Pressure	99 bar
Leakage	EN 60534-4: CLASS VI
Lock-up Class	EN 334: SG 5
Accuracy Class	EN 334: AC 1 <sup>1</sup>
Temperature	-20 to +200°C
Ports	BSPT/NPT

<sup>1</sup> Accuracy class depends on set pressure & pilot valve

<sup>2</sup> Not for use as a safety device

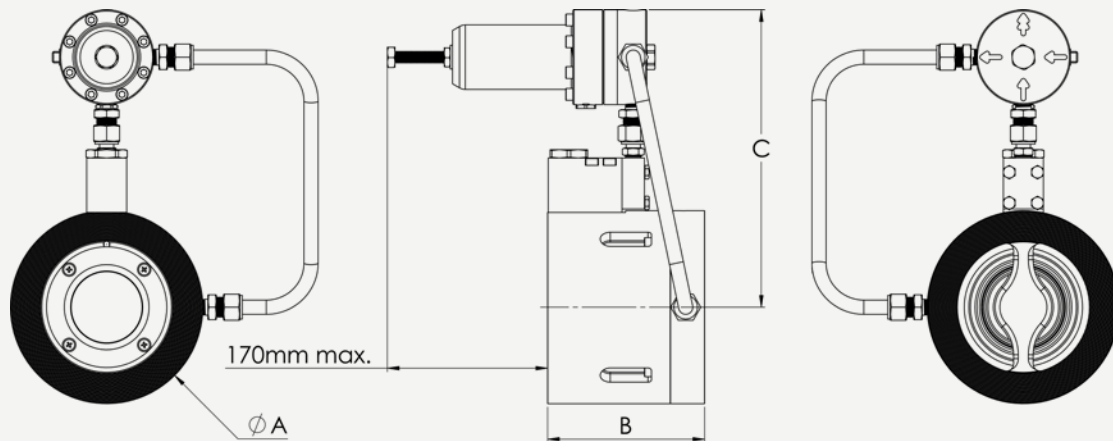
## BENEFITS & FEATURES

- Low installation and maintenance costs
  - Small installation footprint ideally suited to new and retrofit applications
  - Compatible face-to-face length with competitor wafer valves
  - Piston actuated - no diaphragm
  - Corrosion resistance throughout with minimal threaded fittings
- High performance and durability
  - Accurate pressure control with fast response
  - No fragile diaphragm in main flow path
  - Reliable tight shut-off
- Full 316L valve internals offers class leading Hydrogen compatibility

## PERFORMANCE & SIZING

IM-S Series Regulators are available in sizes from DN050–DN200 (2"–8"), as follows:

IM-S Series	K <sub>v</sub>	K <sub>g</sub>	C <sub>v</sub>	C <sub>g</sub>
DN050 (2")	36	1238	42	1177
DN080 (3")	88	2891	101	2749
DN100 (4")	140	4682	161	4451
DN150 (6")	277	9506	320	9036
DN200 (8")	418	14745	483	14106



## KEY DIMENSIONS (MM/")

Nominal Diameter	Diameter (A)	Length (B)	Height (C)	Weight (kg)
DN50 (2")	105mm/4.1"	86.5mm/3.4"	222mm/8.7"	7.9kg/17lb
DN80 (3")	136.5mm/5.4"	104mm/4.1"	240mm/9.4"	12kg/26lb
DN100 (4")	163mm/6.4"	133mm/5.2"	255mm/10.0"	18.2kg/40lb
DN150 (6")	218mm/8.6"	175mm/6.9"	280mm/11.0"	36kg/79lb
DN200 (8")	274mm/10.8"	205mm/8.1"	310mm/12.2"	66kg/145lb



## SIMPLE INSTALLATION



## CONSTRUCTION MATERIALS

Components	Materials
Body & actuator	Stainless steel 316L
Seals & soft parts	NBR, PTFE*
Pilot	Stainless steel 316L (in gas contact) Aluminium 6082-T6
Trim and fittings	Stainless steel 316/316L

\*Alternative materials available on request

DISCLAIMER. Details of products may vary. Oxford Flow does not guarantee or warrant the availability of the models described in this Product Bulletin or the accuracy or completeness of the details provided. The contents of this Product Bulletin shall not form the basis of any contract or representation. Please refer to the relevant Product Data Sheet for technical details of our products.