

OXFORD FLOW LIQUID REGULATOR

MODEL: IP – POLYMER WAFER

High performance pressure control valve
Wafer-type installation for DN50-DN300 (2"-12") pipework



PRODUCT OVERVIEW

The Oxford Flow IP Series is a unique patented range of pilot-operated, automatic control valves developed specifically for water applications. The valve can be configured for pressure-reducing, pressure sustaining and tank level control applications.

The lightweight polymer construction uses POM-C Acetal (WRAS & NSF approved) to significantly reduce weight and minimises the need for expensive lifting equipment during installation and maintenance.

Wafer-type installation between PN10/PN16 or ANSI150 flanges minimises installation footprint. The axial flow design eliminates the main diaphragm, using a piston sensed mechanism to maximise reliability and reduce maintenance costs.

APPLICATIONS

For use with potable water, waste water and process fluids.

Max. Inlet Pressure	16 bar
Outlet pressure range	1 to 15 bar
Min. head loss	Down to 0.1 bar ¹
Temperature range	0 - 60°C

¹ Minimum head loss values vary with valve size.
See flow sizing guide for details.

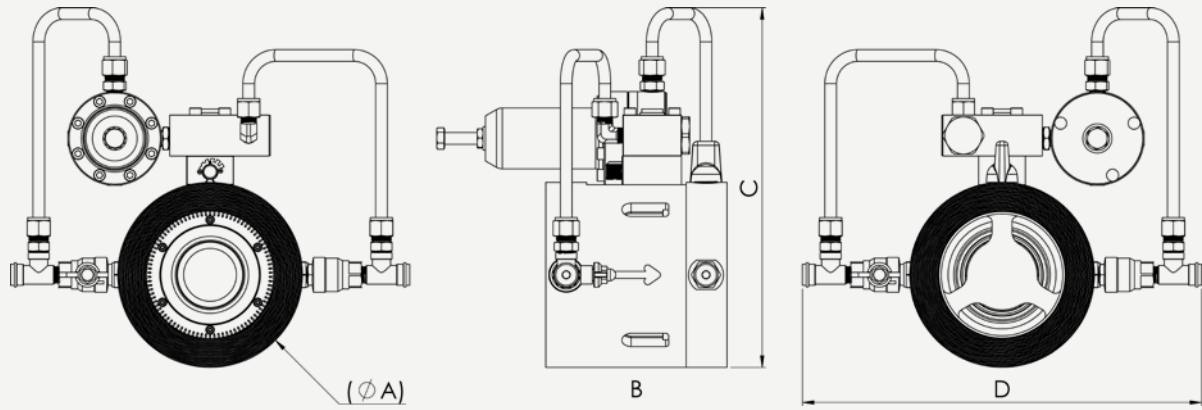
BENEFITS & FEATURES

- Market leading minimum head-loss performance
- Class leading turn down ratio – stable output from 0-100% of flow capacity
- Lightweight and compact
- Low installation and maintenance costs
- Easy installation
- Corrosion-free and cavitation resistant polymer
- Robust and reliable

PERFORMANCE & SIZING

IP Series valves are available in sizes ranging from DN050-DN300 as follows:

IP Series PRV	K _v Values	C _v Values
DN50 (2")	40	46
DN80 (3")	85	98
DN100 (4")	152	176
DN150 (6")	339	392
DN200 (8")	565	653
DN250 (10")	773	894
DN300 (12")	1004	1161



KEY DIMENSIONS (MM)

Nominal Diameter	Diameter \varnothing (A)	Length (B)	Height (C)	Width (D)	Weight (kg / lb)
DN50 (2")	105	121	254	288	4.9 / 10.8
DN80 (3")	136	135	290	320	5.9 / 13.0
DN100 (4")	158	155	310	345	6.9 / 15.2
DN150 (6")	218	228	370	405	12.2 / 26.9
DN200 (8")	273	298	430	460	21.0 / 46.3
DN250 (10")	328	348	515	515	32.9 / 72.5
DN300 (12")	381	398	555	570	49.0 / 108.0



SIMPLE INSTALLATION



CONSTRUCTION MATERIALS

Components	Materials
Body & Actuator	POM-C Acetal (WRAS)
Seat material	POM-C Acetal (WRAS) and WRAS approved EPDM
Trim and fittings	Stainless Steel 316
O Ring seals	WRAS approved EPDM
Pilot	POM-C Acetal (WRAS) and Stainless Steel 316

DISCLAIMER. Details of products may vary. Oxford Flow does not guarantee or warrant the availability of the models described in this Product Bulletin or the accuracy or completeness of the details provided. The contents of this Product Bulletin shall not form the basis of any contract or representation. Please refer to the relevant Product Data Sheet for technical details of our products.