

OXFORD FLOW LIQUID REGULATOR

MODEL: IP-T

High performance tank level control valve
Wafer-type installation for DN50-DN300 (2"-12") pipework



PRODUCT OVERVIEW

The Oxford Flow IP Series is a unique patented range of automatic control valves developed specifically for water applications. This valve is configured for tank level control applications. The lightweight polymer construction uses POM-C.

Acetal (WRAS & NSF approved) to significantly reduce weight and minimises the need for expensive lifting equipment during installation and maintenance.

Wafer-type installation between PN10/PN16 or ANSI150 flanges minimises installation footprint. The axial flow design eliminates the main diaphragm, using a piston sensed mechanism to maximise reliability and reduce maintenance costs.

The valve utilises a small (1/2") float valve mounted remotely from the valve to operate. Opening of the smaller float valve causes the larger valve to operate. The valve is able to fully open at exceptionally low inlet pressures, as low as 0.1 bar in larger sizes.

APPLICATIONS

For use with potable water, process fluids, waste water and irrigation water¹

| | |
|----------------------|------------------------------|
| Max. Inlet Pressure | 16 bar |
| Max. Outlet Pressure | Down to 0.1 bar ² |

¹ With additional control system filtration.
Contact Oxford Flow for details

² Minimum inlet pressure values vary with valve size and any back pressure. See flow sizing guide for details.

BENEFITS & FEATURES

- Market leading minimum operating inlet pressure
- Class leading turn down ratio – stable output from 0-100% of flow capacity
- Drip tight shut-off
- Lightweight and compact
- Low installation and maintenance costs
- Easy installation
- Corrosion-free and cavitation resistant polymer
- Robust and reliable

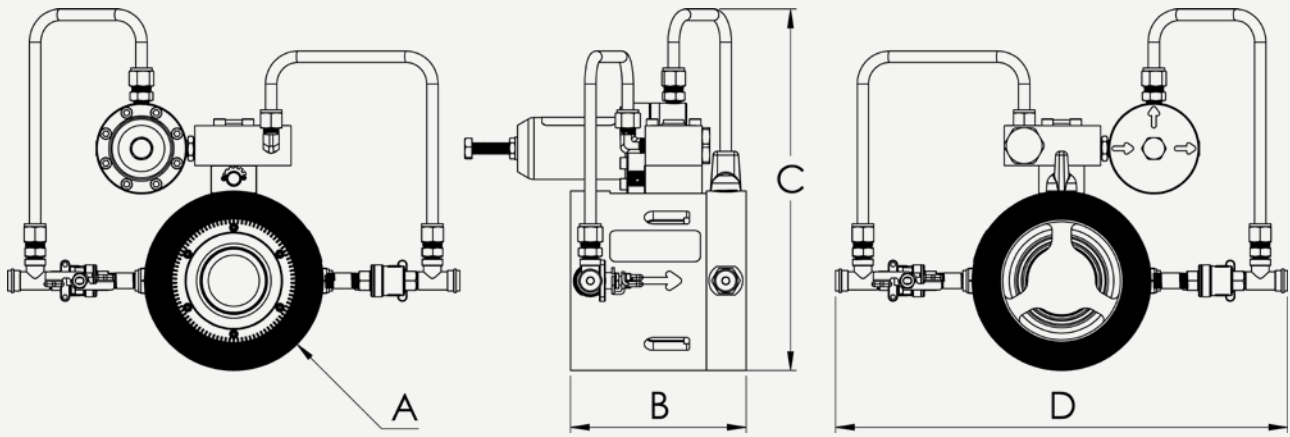
PERFORMANCE & SIZING

IP Series valves are available in sizes ranging from DN050-DN300 as follows:

| IP Series Size | K _v Values | C _v Values |
|----------------|-----------------------|-----------------------|
| DN50 (2") | 40 | 46 |
| DN80 (3") | 85 | 98 |
| DN100 (4") | 152 | 176 |
| DN150 (6") | 339 | 392 |
| DN200 (8") | 565 | 653 |
| DN250 (10") | 773 | 894 |
| DN300 (12") | 1004 | 1116 |



Headquarters: Oxford, U.K
U.S Office: Houston, Texas
E: info@oxford-flow.com **W:** www.oxford-flow.com



KEY DIMENSIONS (MM)

| Nominal Diameter | Diameter (A) | Length (B) | Height (C) | Width (D) | Weight (kg / lb) |
|------------------|--------------|------------|------------|-----------|------------------|
| DN50 (2") | 105 | 121 | 254 | 258 | 3.0 / 6.6 |
| DN80 (3") | 136 | 135 | 290 | 290 | 4.0 / 8.8 |
| DN100 (4") | 158 | 155 | 310 | 310 | 5.0 / 11.0 |
| DN150 (6") | 218 | 228 | 370 | 370 | 10.2 / 22.5 |
| DN200 (8") | 273 | 298 | 430 | 430 | 19.0 / 41.9 |
| DN250 (10") | 328 | 348 | 515 | 515 | 30.7 / 67.7 |
| DN300 (12") | 381 | 398 | 555 | 555 | 46.7 / 103.0 |

SIMPLE INSTALLATION



CONSTRUCTION MATERIALS

| Components | Materials |
|-------------------|-------------------------|
| Body & Actuator | POM-C Acetal (WRAS/NSF) |
| Seat material | WRAS approved EPDM |
| Trim and fittings | Stainless Steel 316 |
| O Ring seals | WRAS approved EPDM |

DISCLAIMER. Details of products may vary. Oxford Flow does not guarantee or warrant the availability of the models described in this Product Bulletin or the accuracy or completeness of the details provided. The contents of this Product Bulletin shall not form the basis of any contract or representation. Please refer to the relevant Product Data Sheet for technical details of our products.