

OXFORD FLOW GAS REGULATOR

MODEL: IM-S – WAFER

High performance gas pressure regulator



PRODUCT OVERVIEW

The IM-S Series pilot-operated, regulator range offers high levels of performance with an axial flow design for process gases.

The wafer-type body fits between PN10 – PN100 and ANSI Class 150 – 600 flanges, significantly simplifying procurement and maintenance. The patented, compact construction significantly reduces weight and the need for expensive lifting equipment during installation and maintenance.

APPLICATIONS

The machined 316L body and internals are ideally suited for gas transmission and distribution applications with natural gas, hydrogen, air and other process gases.

Max. Inlet Pressure	100 bar / 1450 psi
Max. Outlet Pressure	99 bar / 1435 psi
Leakage	EN 60534-4: CLASS VI
Lock-up Class	EN 334: SG 5
Accuracy Class	EN 334: AC 1 ¹
Temperature range	-40°C to +120°C / -40°F to +248°F ²
Ports	BSPT/NPT

¹ Accuracy class depends on set pressure & pilot valve

² Dependent on seal material

³ Not for use as a safety device

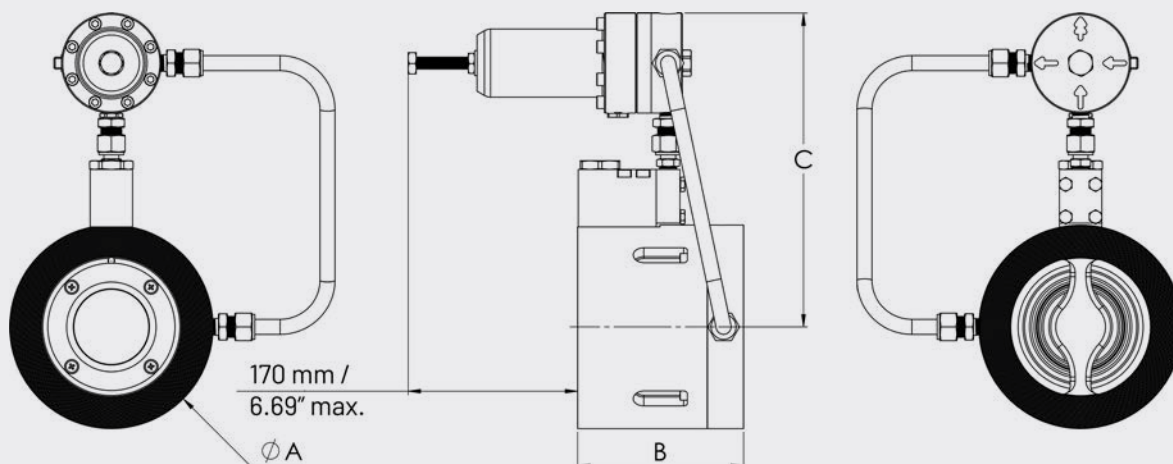
BENEFITS & FEATURES

- Low installation and maintenance costs
 - Small installation footprint ideally suited to new and retrofit applications³
 - Compatible face-to-face length with competitor wafer valves
 - Piston actuated - no diaphragm
 - Corrosion resistance throughout with minimal threaded fittings
- High performance and durability
 - Accurate pressure control with fast response
 - No fragile diaphragm in main flow path
 - Reliable tight shut-off
- Robust stainless steel 316L valve internals have been verified for hydrogen compatibility
- Industry leading 10 year recommended service interval

PERFORMANCE & SIZING

IM-S Series Regulators are available in sizes from DN050-DN200 (2"-8"), as follows:

Model Number	Nominal Diameter	K _v	K _g	C _v	C _g
IMS-50S	DN050 (2")	36	1238	42	1177
IMS-50	DN050 (2")	36	1238	42	1177
IMS-80	DN080 (3")	88	2891	101	2749
IMS-100	DN100 (4")	140	4682	161	4451
IMS-150	DN150 (6")	277	9506	320	9036
IMS-200	DN200 (8")	418	14745	483	14106



KEY DIMENSIONS

Model Number	Nominal Diameter	Diameter (A)	Length (B)	Height (C)	Weight
IMS-50S	DN50 (2")	105 mm / 4.13"	77 mm / 3.03"	268 mm / 10.55"	8.2 kg / 18 lbs
IMS-50	DN50 (2")	105 mm / 4.13"	86.5 mm / 3.41"	222 mm / 8.74"	7.9 kg / 17 lbs
IMS-80	DN80 (3")	136.5 mm / 5.37"	104 mm / 4.09"	240 mm / 9.45"	12 kg / 26 lbs
IMS-100	DN100 (4")	163 mm / 6.42"	133 mm / 5.24"	255 mm / 10.04"	18.2 kg / 40 lbs
IMS-150	DN150 (6")	218 mm / 8.58"	175 mm / 6.89"	280 mm / 11.02"	36 kg / 79 lbs
IMS-200	DN200 (8")	274 mm / 10.79"	205 mm / 8.07"	310 mm / 12.20"	66 kg / 145 lbs

SIMPLE INSTALLATION



CONSTRUCTION MATERIALS

Components	Materials
Body & actuator	Stainless steel 316L
Seals & soft parts	PTFE, NBR/FKM/EPDM*
Pilot	Stainless steel 316L (in gas contact) Aluminium 6082-T6
Trim and fittings	Stainless steel 316/316L

*Alternative materials available on request

DISCLAIMER. Details of products may vary. Oxford Flow does not guarantee or warrant the availability of the models described in this Product Bulletin or the accuracy or completeness of the details provided. The contents of this Product Bulletin shall not form the basis of any contract or representation. Please refer to the relevant Product Data Sheet for technical details of our products.