

# OXFORD FLOW PORTABLE REGULATOR

MODEL: IP-K – POLYMER

High performance, portable pressure control system  
DN080-150 (3"-6")



## PRODUCT OVERVIEW

Complete with integrated handles, feet and quick-fit connections the Oxford Flow range of IP-K pressure reducing valves (PRVs) are ideal for mobile hydrant service. They enable operators to quickly and accurately control pressure from hydrants into more sensitive systems.

The units utilise the patented IP Series PRV range. Lightweight construction in Acetal resin (WRAS & NSF approved), significantly reduces weight. All units could be supplied to weigh less than 25 kg; the single-person manual handling limit.

## APPLICATIONS

Highly portable for fast connection to hydrant supply.  
Not for use as safety devices.

|                       |                              |
|-----------------------|------------------------------|
| Max. Inlet Pressure   | 252psi / 16 bar <sup>1</sup> |
| Outlet pressure range | 0 - 218psi / 0 - 15 bar      |
| Temperature range     | 0 - 60°C / 32 - 131°F        |
| Min. head loss        | down to 0.1 bar / 1.4 psi    |

<sup>1</sup> Higher inlet pressure solutions available, please contact Oxford Flow for details.

<sup>2</sup> Pressure limited by flange adaptor couplings.

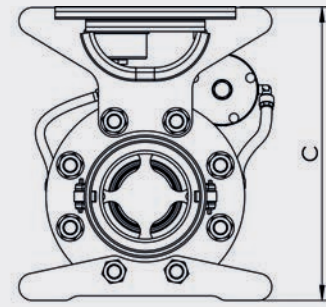
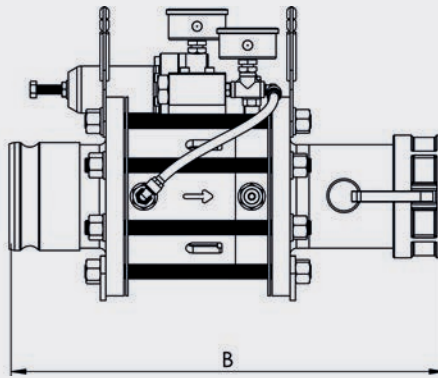
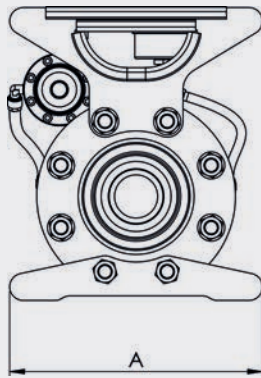
## BENEFITS & FEATURES

- Quick connection
- Lightweight & compact
- Corrosion-proof construction
- Minimal maintenance
- Low cost of ownership
- Standard quick connection hose couplings<sup>2</sup>
- Optional high level control system filtration

## PERFORMANCE & SIZING

IP-K PRVs are available in sizes DN080-150 (3"-6") as follows:

| IP-K       | K <sub>v</sub> | C <sub>v</sub> |
|------------|----------------|----------------|
| DN80 / 3"  | 85             | 98             |
| DN100 / 4" | 152            | 176            |
| DN150 / 6" | 339            | 392            |



Example construction



## KEY DIMENSIONS (MM/IN)

| Nominal Diameter | Width (A)     | Length (B)    | Height (C)    | Weight (kg / lb) |
|------------------|---------------|---------------|---------------|------------------|
| DN80 / 3"        | 300mm / 12.0" | 370mm / 14.6" | 310mm / 12.2" | 13 / 28.6        |
| DN100 4"         | 280mm / 11.2" | 480mm / 18.9" | 320mm / 12.6" | 18 / 39.6        |
| DN150 6"         | 340mm / 13.4" | 535mm / 21.0" | 375mm / 14.8" | 23.5 / 51.0      |



## SIMPLE INSTALLATION



Example construction



## CONSTRUCTION MATERIALS

| Components        | Materials  |
|-------------------|--|
| Body & Actuator   | POM-C Acetal (WRAS & NSF approved)                         |
| Seat material     | WRAS approved EPDM   |
| Trim and fittings | Stainless Steel 316 + Aluminium                            |
| O Ring seals      | WRAS approved EPDM   |
| Pilot             | POM-C Acetal (WRAS & NSF approved)+<br>Stainless steel 316 |

DISCLAIMER. Details of products may vary. Oxford Flow does not guarantee or warrant the availability of the models described in this Product Bulletin or the accuracy or completeness of the details provided. The contents of this Product Bulletin shall not form the basis of any contract or representation. Please refer to the relevant Product Data Sheet for technical details of our products.