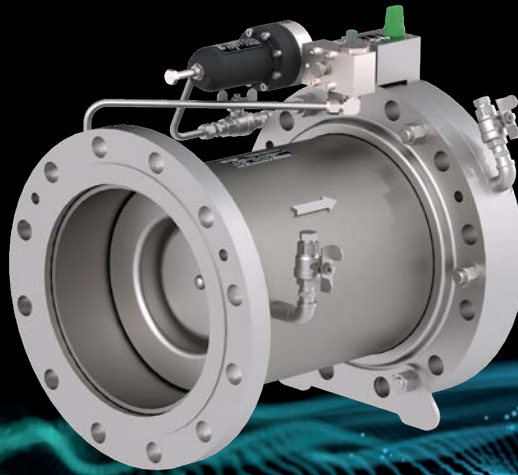


OXFORD FLOW LIQUID REGULATOR

MODEL: IP-X

Flanged, axial flow type pressure regulator for liquid applications DN150-DN600 (6"-24").*



PRODUCT OVERVIEW

The Oxford Flow IP-X Series is a unique, patented range of pilot-controlled axial flow pressure regulators developed specifically for water applications in a range of configurations, including pressure reducing, sustaining, sustaining/relief and tank level control.

The IP-X Series valves are available with PN10-25 or ANSI #150 flanges constructed from stainless steel*.

The axial flow design eliminates the requirement for a large main diaphragm and instead uses a piston sensed mechanism which maximises reliability and reduces maintenance costs.

The IP-X Series offers pilot-controlled accuracy and can be integrated with intelligent actuated systems and smart networks to calm pressures and reduce leakage.

APPLICATIONS

Use with confidence for potable and non-potable water applications across critical industries and national infrastructure.

Max. Inlet Pressure	22 bar / 319 psi
Outlet pressure range	0.2 bar to 22 bar / 3 psi to 319 psi
Temperature range ¹	-20°C to 120°C / -4°F to 248°F
Min. Head-loss	0.2 bar / 3 psi ²
Leakage class	EN 12266-1 Class A

¹Process fluid dependent.

²Minimum head-loss values vary with valve size.

BENEFITS & FEATURES

- Market leading minimum head-loss performance
- Low installation and maintenance costs
- Compact installation footprint
- Piston sensed - no diaphragm
- Robust and reliable
- Blockage resistant flow path - axial flow 1-100% flow capacity
- Accurate pressure and flow control

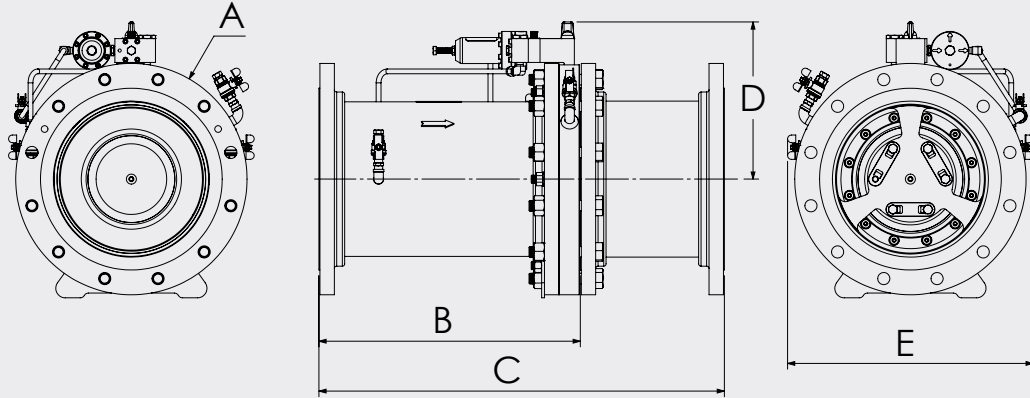
PERFORMANCE & SIZING

The IP-X Series pressure regulators are available in sizes ranging from DN150 to DN600 with the following flow capacities:

IP-X Series	C _v	K _v
DN150 (6")	392	339
DN200 (8")	603	520
DN250 (10")	1027	889
DN300 (12")	1454	1258
DN350 (14")	1772	1533
DN400 (16")	2284	1974
DN450 (18")	2667	2307
DN500 (20")	3752	3235
DN600 (24")	5117	4426

All sizes offered in the following flange classes: PN10, PN16, PN25 and ANSI #150.

*Other sizes and construction materials can be made available on request, contact Oxford Flow for more details.



KEY DIMENSIONS

Nominal Diameter (A)	Length (B)	Length (C)	Height (D)	Width (E)	Weight ²
DN150 (6")	280 mm / 11"	480 mm / 18.9"	290 mm / 11.4"	450 mm / 17.7"	54 kg / 119 lbs
DN200 (8")	300 mm / 11.8"	600 mm / 23.6"	300 mm / 11.8"	465 mm / 18.3"	86 kg / 190 lbs
DN250 (10")	443 mm / 17.4"	730 mm / 29.8"	309 mm / 12.2"	460 mm / 18.1"	147 kg / 324 lbs
DN300 (12")	548 mm / 21.6"	850 mm / 33.5"	336 mm / 13.2"	513 mm / 20.2"	226 kg / 498 lbs
DN350 (14")	600 mm / 23.6"	980 mm / 38.6"	366 mm / 14.4"	600 mm / 23.6"	322 kg / 710 lbs
DN400 (16")	500 mm / 19.7"	1100 mm / 43.3"	376 mm / 14.8"	620 mm / 24.4"	383 kg / 844 lbs
DN450 (18")	605 mm / 23.8"	1200 mm / 47.2"	395.5 mm / 15.6"	670 mm / 26.4"	410 kg / 904 lbs
DN500 (20")	660 mm / 26"	1250 mm / 49.2"	430 mm / 16.9"	730 mm / 28.7"	450 kg / 992 lbs
DN600 (24")	755 mm / 29.7"	1450 mm / 57"	478 mm / 18.8"	845 mm / 33.3"	920 kg / 2028 lbs

The combination of valve body and spool can come in different dimensions, please contact Oxford Flow for more information.

² Compact version including control system.

VALVE BODY CONSTRUCTION AND FACE-TO-FACE OPTIONS



STANDARD CONSTRUCTION MATERIALS

Components	Materials
Body	Stainless steel 316L
Actuator	Stainless steel 316/316L
Seat material*	WRAS, NSF approved EPDM and stainless steel 316
Trim and fittings	Stainless steel 316
'O' ring seals	WRAS, NSF approved EPDM
Pilot materials	Acetal resin (WRAS, NSF) and stainless steel 316 ³

* Alternative materials available on request.

³ Pilot materials depend on temperature range.

DISCLAIMER. Details of products may vary. Oxford Flow does not guarantee or warrant the availability of the models described in this Product Bulletin or the accuracy or completeness of the details provided. The contents of this Product Bulletin shall not form the basis of any contract or representation. Please refer to the relevant Product Data Sheet for technical details of our products.