

OXFORD FLOW PB1 PILOT BALANCER

MODEL: PB1



Performance Enhancing Pilot Valve Accessory.



PRODUCT OVERVIEW

The PB1 Pilot Balancer is a Patent Pending accessory for Oxford Flow's pressure reducing pilot valves.

This unique accessory improves the accuracy and stability of Oxford Flow pilots when used on large pressure differential applications. It almost eliminates the influence of the upstream pressure on the downstream setpoint.

The PB1 balancer is easily retrofittable onto all of Oxford Flow's pressure reducing pilots and requires no additional adjustment.

APPLICATIONS

For use with clean, filtered gasses and liquids.

Max. Inlet Pressure	100 bar ¹
Temperature range	-20°C to +60°C ²

¹ Dependent on pilot valve.

² Extended temperature range on request.

BENEFITS & FEATURES

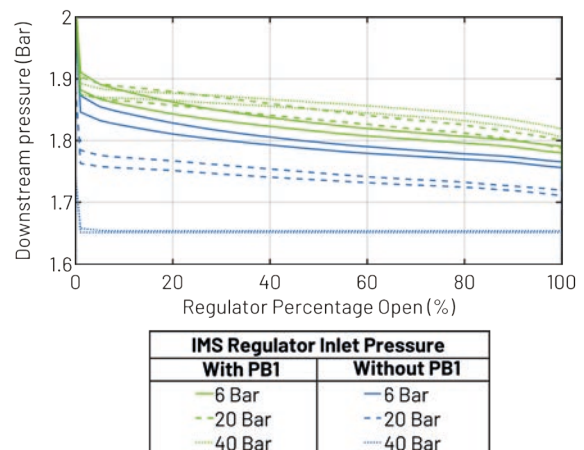
- Improves pressure regulator accuracy and stability
- Retrofits directly onto all of Oxford Flow's current pressure reducing pilots
- No additional pipework for most applications
- No adjustment required

PERFORMANCE & SIZING

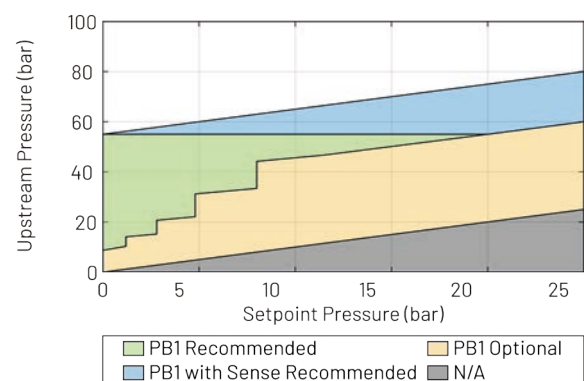
Available in a single universal size. The accessory can compensate for inlet pressures up to 50 bar [725 psi] with no additional connections or up to 50 bar differential with an additional sense line connection.

Provides up to 0.2 bar [2.9 psi] of setpoint correction.

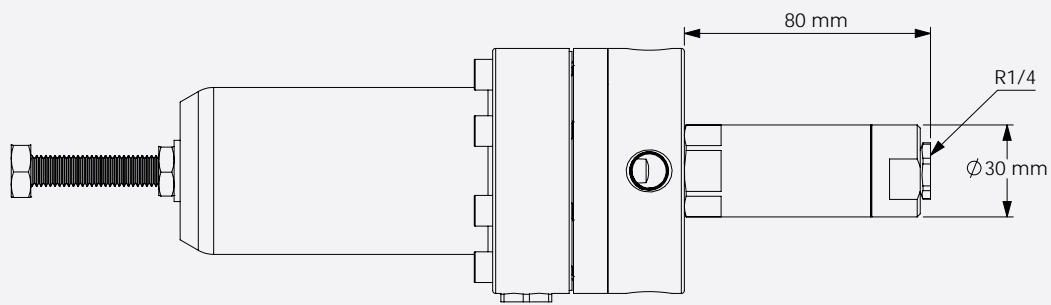
IMS Regulator Performance Comparison With and Without PB1 Balancer



PB1 Installation Recommendation on PRX2 Pilot Valve



Headquarters: Oxford, U.K
U.S Office: Houston, Texas
E: info@oxford-flow.com W: www.oxford-flow.com



KEY DIMENSIONS

CONSTRUCTION MATERIALS*

Components	Materials
Body & actuator	Stainless steel 316L
Springs	17-7 Stainless Steel
Soft Parts	POM-C and PCTFE
Seals	NBR (EN549 approved)

*Alternative materials available on request

SIMPLE INSTALLATION



DISCLAIMER. Details of products may vary. Oxford Flow does not guarantee or warrant the availability of the models described in this Product Bulletin or the accuracy or completeness of the details provided. The contents of this Product Bulletin shall not form the basis of any contract or representation. Please refer to the relevant Product Data Sheet for technical details of our products.