

# OXFORD FLOW LOW PRESSURE GAS PILOT

MODEL: PRX2L PILOT

High performance low pressure gas pilot



## PRODUCT OVERVIEW

The PRX2L Pressure Regulator offers high levels of performance for process gases. The PRX2L regulates a downstream setpoint pressure regardless of flow rate or upstream pressure changes.

Both BSPT 1/4" and NPT 1/4" process connections are available and the pilot is compatible with the Oxford Flow PB1 Pilot Balancer.

## APPLICATIONS

The machined 316L body and internals are ideally suited for gas transmission and distribution applications with Natural gas, Hydrogen, Air and other process gases.

Max. Inlet Pressure	Up to 100 bar
Max. Sense Pressure	7 bar
Leakage	Up to EN 60534-4: CLASS VI
Boost per 1 bar change in DP @Constant Flow	0.25 mbar
Temperature range	-20°C to +60°C <sup>1</sup>
Weight	3.9 kg

<sup>1</sup>Dependent on seal material

## BENEFITS & FEATURES

- Low installation and maintenance costs
- Small installation footprint ideally suited to new and retrofit applications
- Corrosion resistance throughout with minimal threaded fittings
- High performance and durability
  - Best-in-class pressure control with fast response
  - Reliable tight shut-off
- Full 316L valve and option for FKM (Viton) seals offers class leading Hydrogen compatibility

## Flow Coefficients

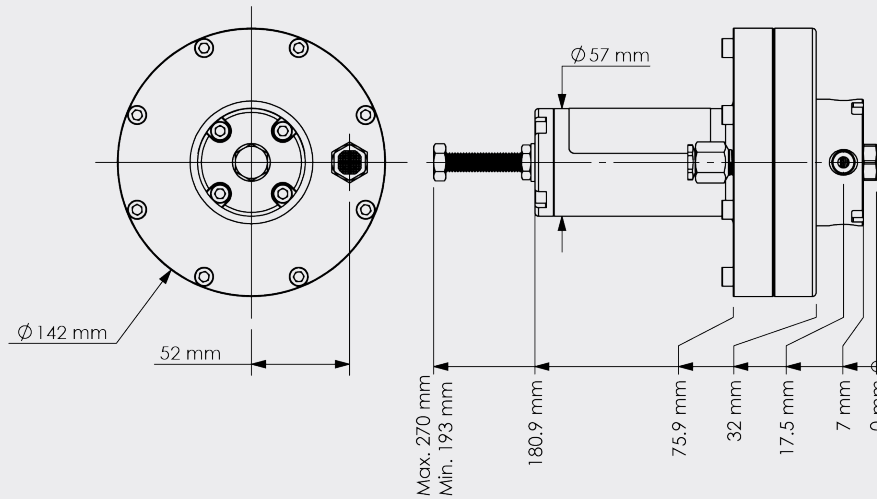
PRX2L	K <sub>v</sub>	K <sub>g</sub>	C <sub>v</sub>	C <sub>g</sub>	A <sub>eff</sub> (mm <sup>2</sup> )*
1/4"	0.292	11.68	0.337	11.1	6.3

\*Choked flow

## SPRING SELECTION

Spring Colour	Setpoint Range
Orange	12 to 38 mbar
Purple	30 to 75 mbar
Green	60 to 125 mbar
Yellow	110 to 230 mbar
White	200 to 550 mbar
Silver	500 to 1000 mbar

**Not for use as a safety device**



## CONSTRUCTION MATERIALS

A modular design allows construction in a small range of materials.

Components	Materials
Body	Stainless steel 316L (in gas contact) Aluminium 6082-T6
Actuator	Stainless steel 316L
Lever	Stainless steel 316L
Seat	PTFE
O-Rings	NBR/FKM
Diaphragm	NBR/FKM

## Installation with PB1 Pilot Balancer



DISCLAIMER. Details of products may vary. Oxford Flow does not guarantee or warrant the availability of the models described in this Product Bulletin or the accuracy or completeness of the details provided. The contents of this Product Bulletin shall not form the basis of any contract or representation. Please refer to the relevant Product Data Sheet for technical details of our products.