

# OXFORD FLOW GAS BACK PRESSURE PILOTS

MODEL: PSX2 & PSX2H PILOTS

High performance gas back pressure pilots



## PRODUCT OVERVIEW

The PSX2 & PSX2H are spring actuated pressure regulators for gas & liquid applications. The PSX2 & PSX2H regulates a upstream setpoint pressure regardless of flow rate or downstream pressure changes. The PSX2 pressure regulator can be used as a pilot in conjunction/ combination with a pressure regulating valve, such as the Oxford Flow IMS regulator, to regulate back pressure, or, it can be used as a stand alone creep relief device on distribution gas systems. Both BSPT 1/4" and NPT 1/4" process connections are available.

## APPLICATIONS

The machined 316L body and internals are ideally suited for gas and liquid transmission and distribution applications with Natural gas, Hydrogen, Air, LPG and other process gases.

## BENEFITS & FEATURES

- Low installation and maintenance costs
- Small installation footprint ideally suited to new and retrofit applications
- Corrosion resistance throughout with minimal threaded fittings
- High performance and durability
  - Best-in-class pressure control with fast response
  - Reliable tight shut-off
- Full 316L valve internals and option for FKM (Viton) seals offers class leading Hydrogen compatibility

## FLOW COEFFICIENTS

| PSX2 / PSX2H | $K_v$ | $K_g$ | $A_{eff}$ (mm <sup>2</sup> )* |
|--------------|-------|-------|-------------------------------|
| 1/4"         | 0.62  | 26.7  | 14.5                          |

\*Choked Flow

## SPECIFICATION

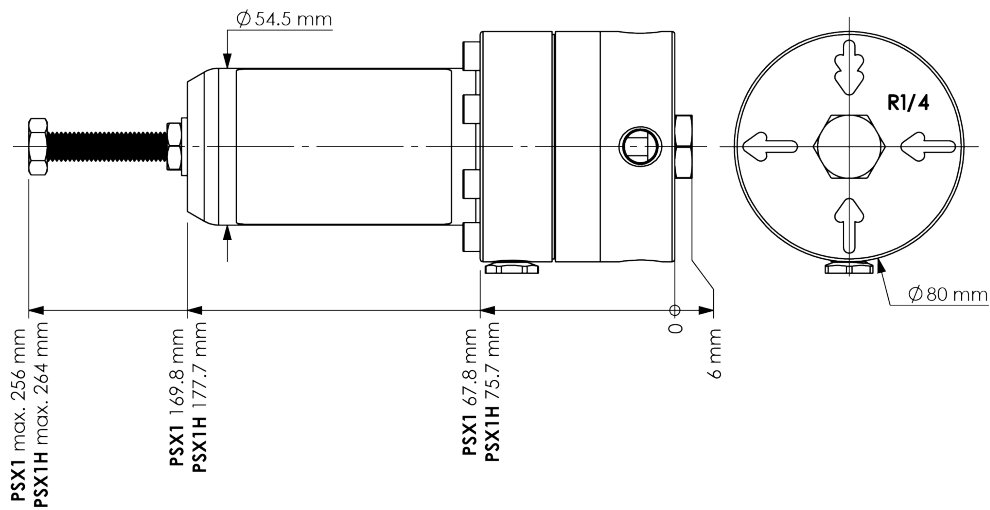
|                     | PSX2                       | PSX2H                      |
|---------------------|----------------------------|----------------------------|
| Max. Inlet Pressure | 35 bar                     | 70 bar                     |
| Max. Sense Pressure | Up to 35 bar               | Up to 70 bar               |
| Temperature Range   | -20 to +60C <sup>1</sup>   | -20 to +60C <sup>1</sup>   |
| Leakage             | Up to EN 60534-4: CLASS VI | Up to EN 60534-4: CLASS VI |
| Max. Weight         | 2.5 kg                     | 2.7 kg                     |

<sup>1</sup>Dependent on seal material

**Not for use as a safety device**



Headquarters: Oxford, UK  
US Office: Houston, Texas  
E: [info@oxford-flow.com](mailto:info@oxford-flow.com) W: [www.oxford-flow.com](http://www.oxford-flow.com)



## PSX2 SPRING SELECTION

| Spring Colour | Setpoint Range   |
|---------------|------------------|
| Yellow        | 0.5 to 1.2 bar   |
| White         | 1.0 to 2.8 bar   |
| Silver        | 1.5 to 4.8 bar   |
| Black         | 3.5 to 8.0 bar   |
| Blue          | 6.0 to 11.5 bar  |
| Red           | 10.0 to 22.0 bar |
| Gold          | 12.0 to 25.0 bar |
| Grey          | 20.0 to 35.0 bar |

## PSX2H SPRING SELECTION

| Spring Colour | Setpoint Range |
|---------------|----------------|
| Red           | 15 to 45 bar   |
| Gold          | 20 to 50 bar   |
| Grey          | 30 to 70 bar   |



## CONSTRUCTION MATERIALS

A modular design allows construction in a small range of materials.

| Components | Materials  |
|------------|--|
| Body       | Stainless steel 316L (in gas contact)<br>Aluminium 6082-T6 |
| Actuator   | Stainless steel 316L                                       |
| Seat       | PEEK   |
| O-Rings    | NBR/FKM  |
| Diaphragm  | NBR/FKM  |

DISCLAIMER. Details of products may vary. Oxford Flow does not guarantee or warrant the availability of the models described in this Product Bulletin or the accuracy or completeness of the details provided. The contents of this Product Bulletin shall not form the basis of any contract or representation. Please refer to the relevant Product Data Sheet for technical details of our products.